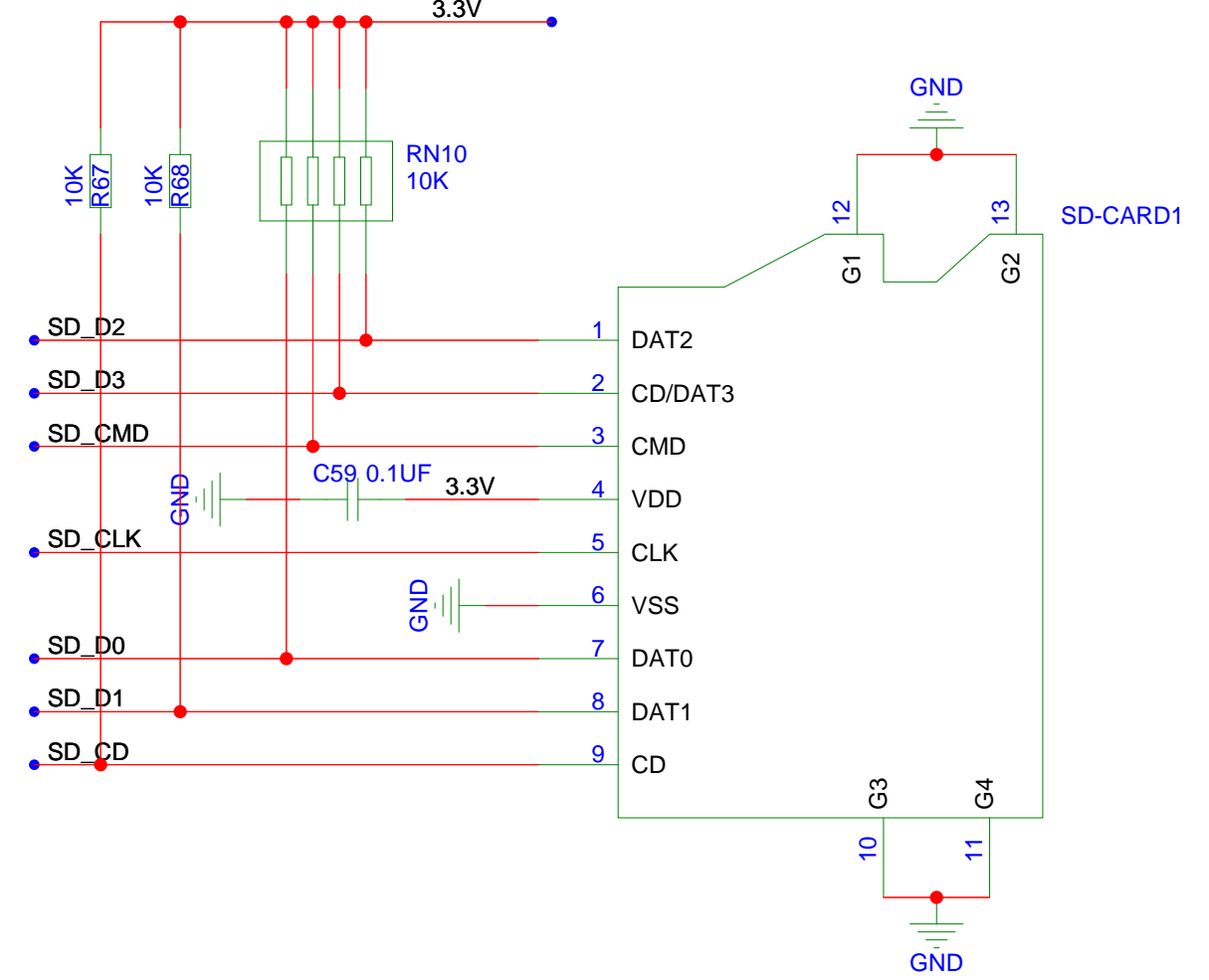
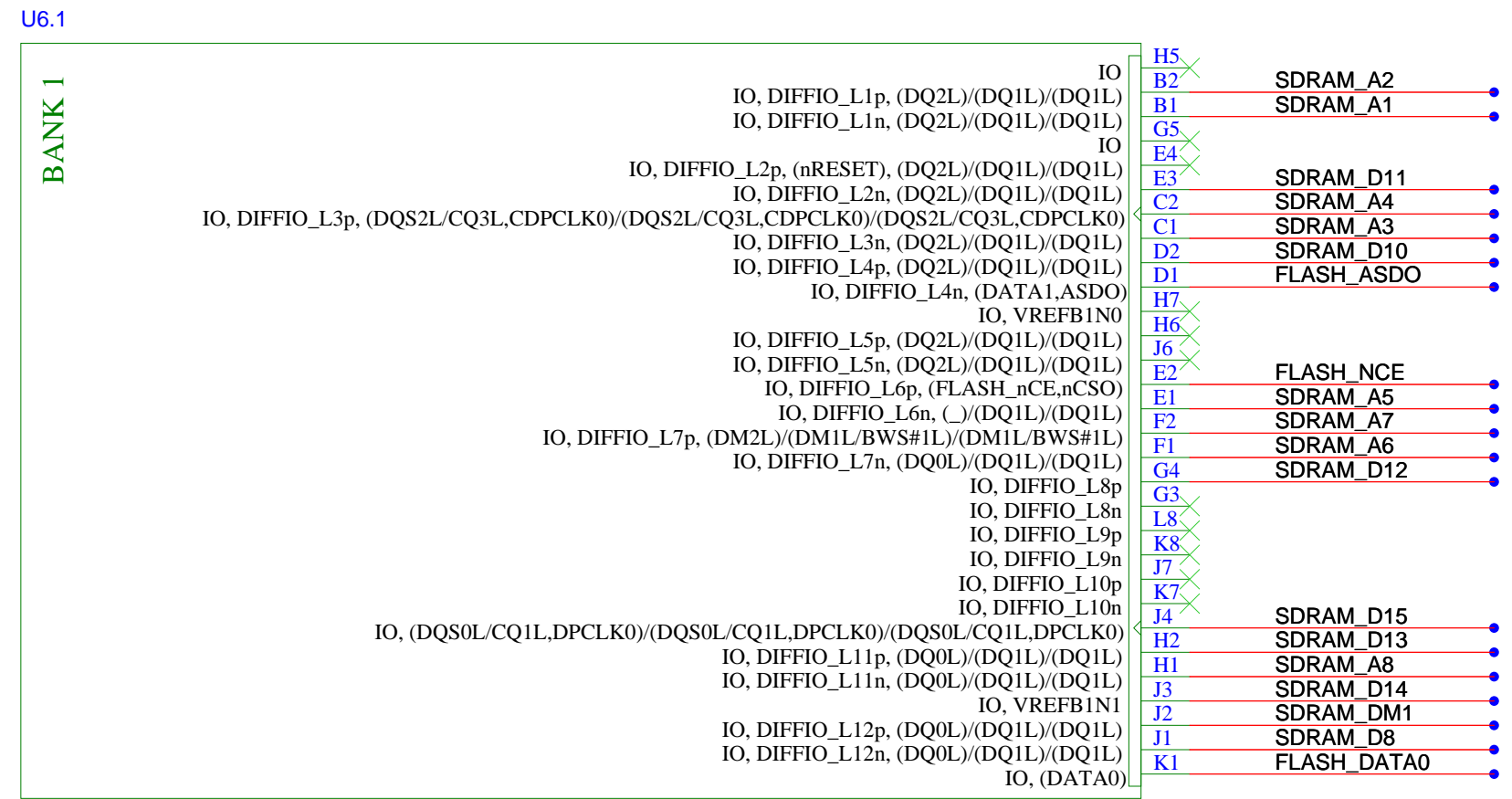
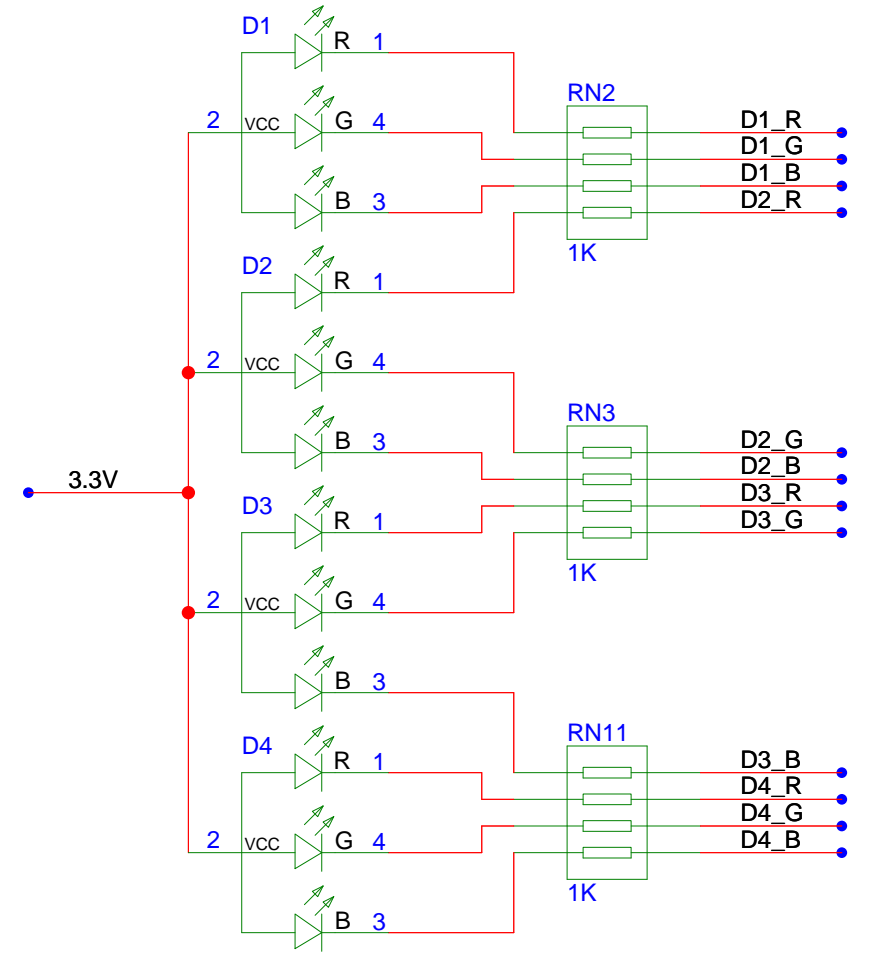
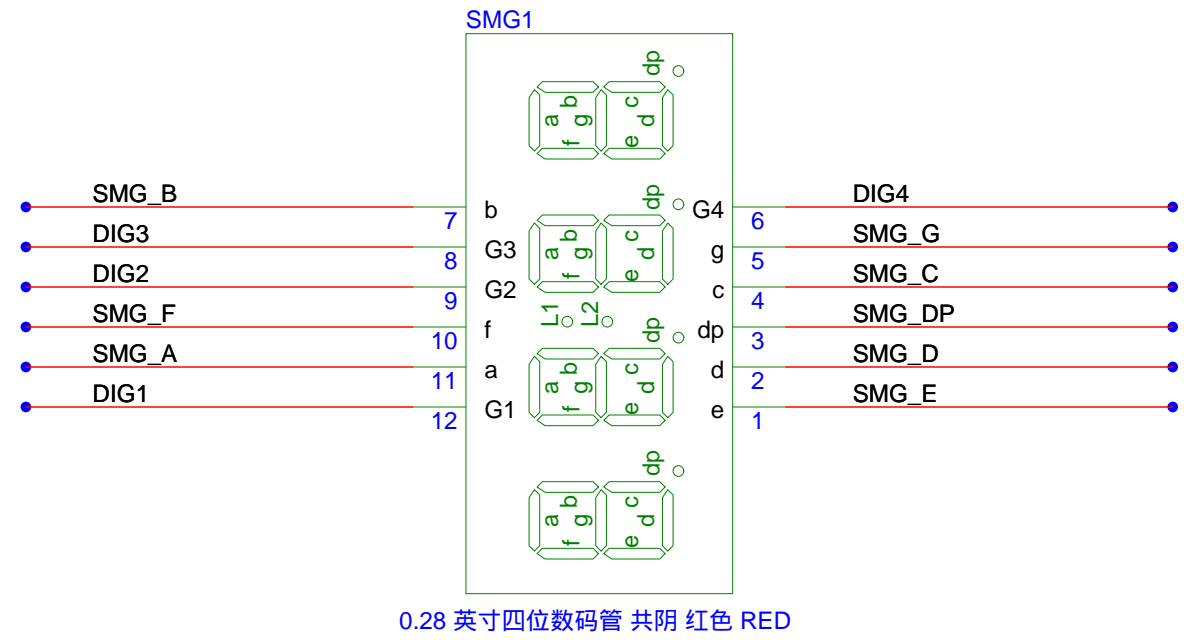
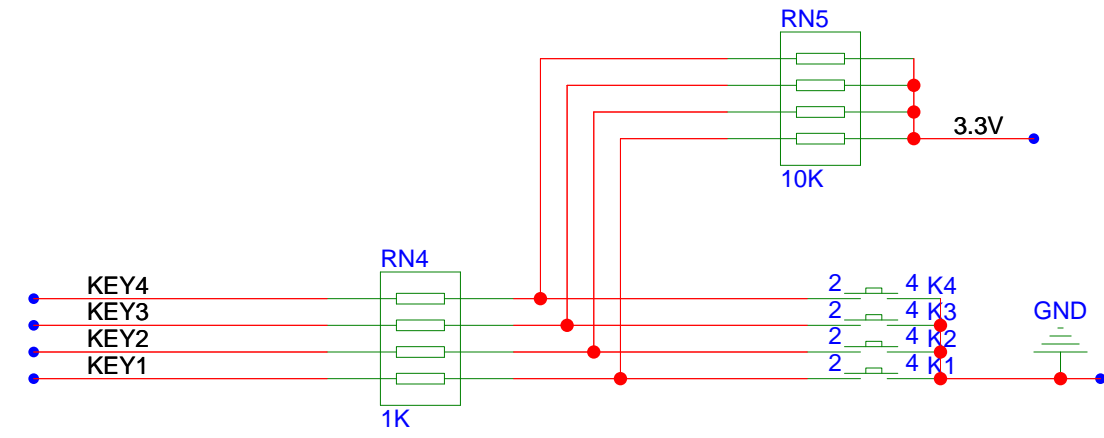
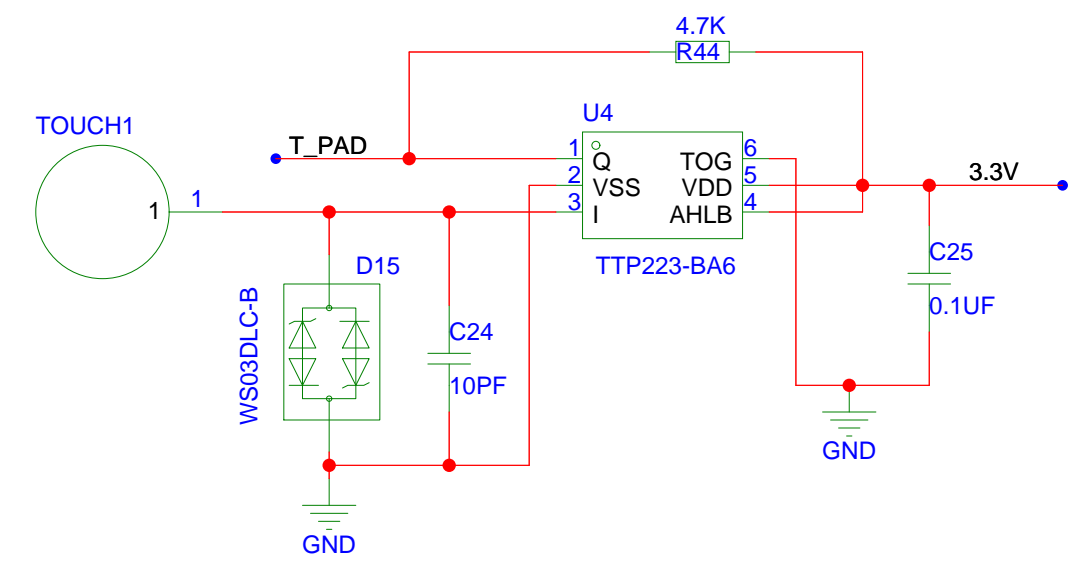
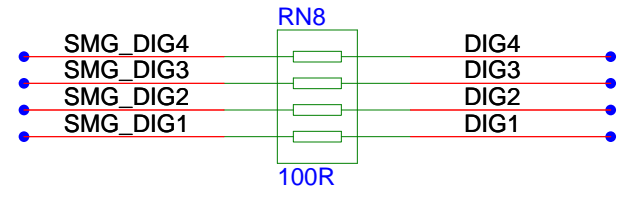
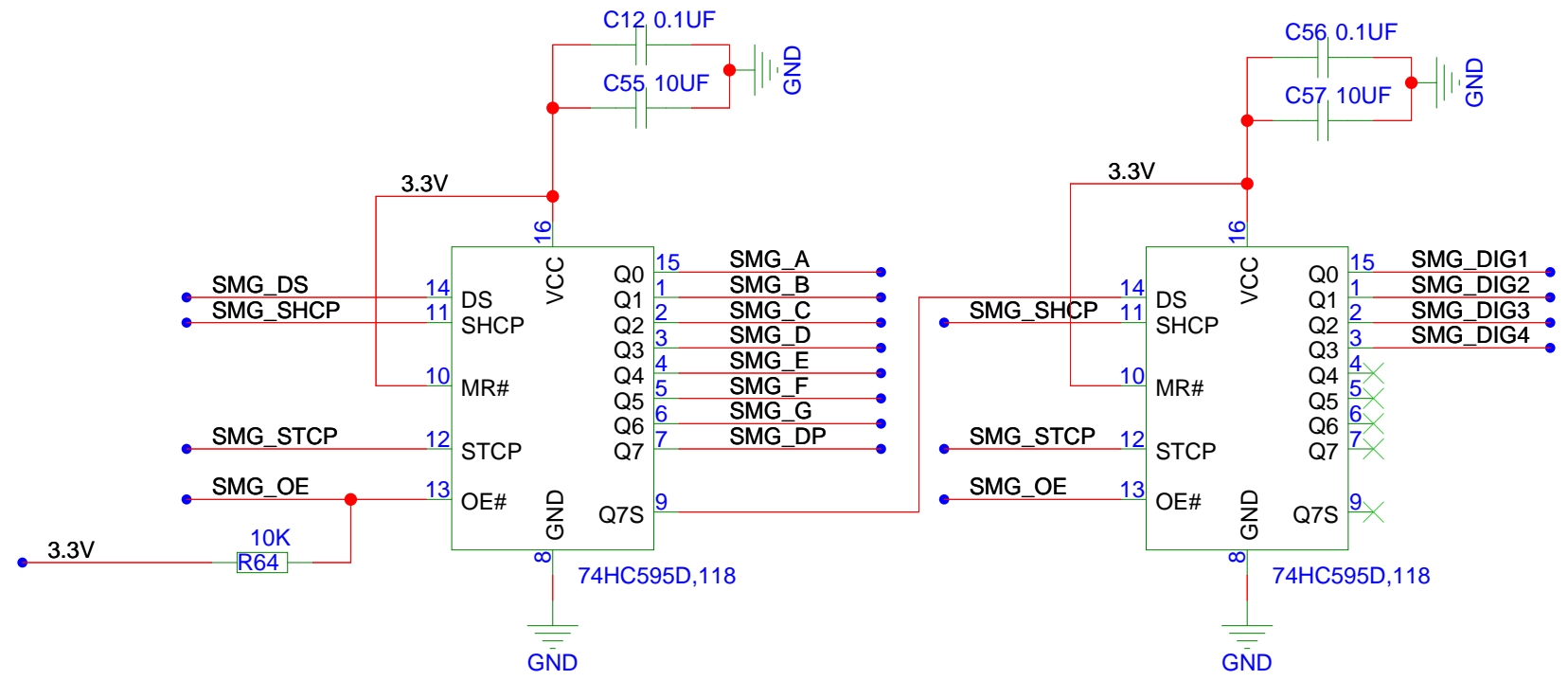


Schematic	Altera A415 KFB		Update Date	
	Page	Drawn	Create Date	
			Part Number	
Reviewed	A415_KFB			
思妙电子		VER	SIZE	PAGE 2 OF 4
		V1.0	A3	SiMiaoHub.com







Schematic	Altera A415 KFB			Update Date	
Page				Create Date	
Drawn				Part Number	
Reviewed				A415_KFB	
思妙电子		VER	SIZE	PAGE	4 OF 4
思妙电子		V1.0	A3	SiMiaoHub.com	